



Installation Manual
Using StairFurb Handrail
Version 6.1 APRIL 2019





ORDER OF ASSEMBLY

TOOLS YOU WILL NEED

- Fine Saw
- Sander
- Wood Filler
- Allen keys
- Screw Driver
- Drill
- Suitable Screws

PROTECTING THE COMPONENTS

Make sure all the glass panels are stored in a safe place until required. Protect all parts against scratches and knocks.

BEFORE COMMENCING WITH THE BUILD

Study the instructions fully so that you're familiar with all the parts of the assembly.

TWO PEOPLE RECOMMENDED

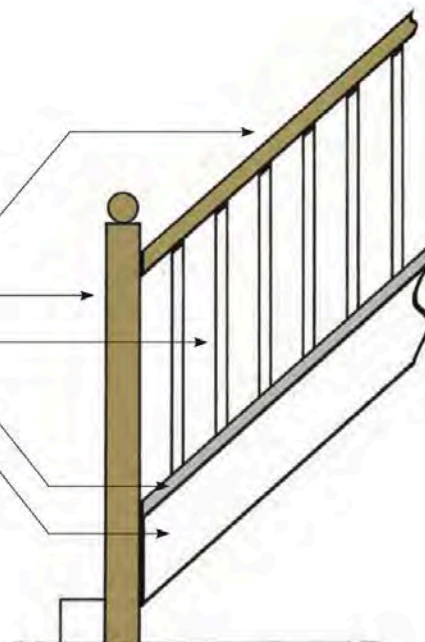
We recommend having a second person to help, as the glass panels can be heavy and will need to be supported whilst you secure them to the handrail and baserail. Also to support the handrail during fixing.

CLEANING

Only use recommended cleaning products on the surfaces.

NAMED PARTS TO A STAIRCASE

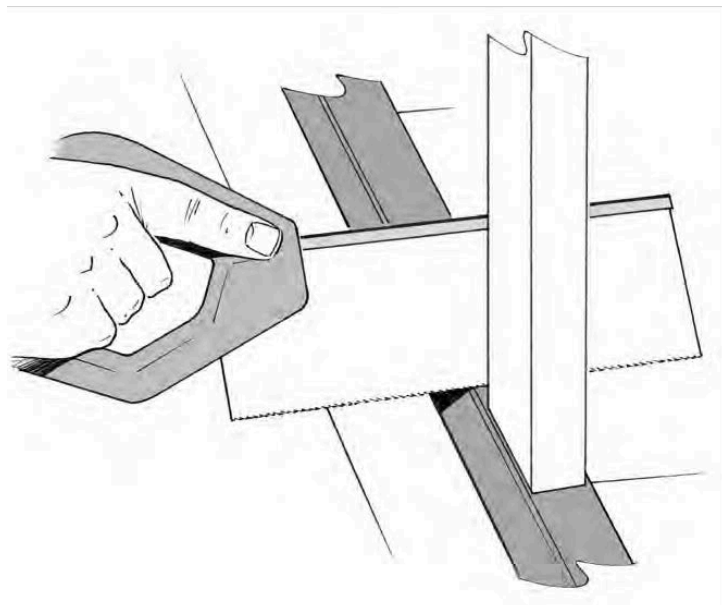
- Handrail
- Newel Post
- Spindles
- Baserail
- Closed Baserail



1. CUTTING OFF THE EXISTING SPINDLES OR TIMBER PANELS

There are possibly two ways of removing the spindles.

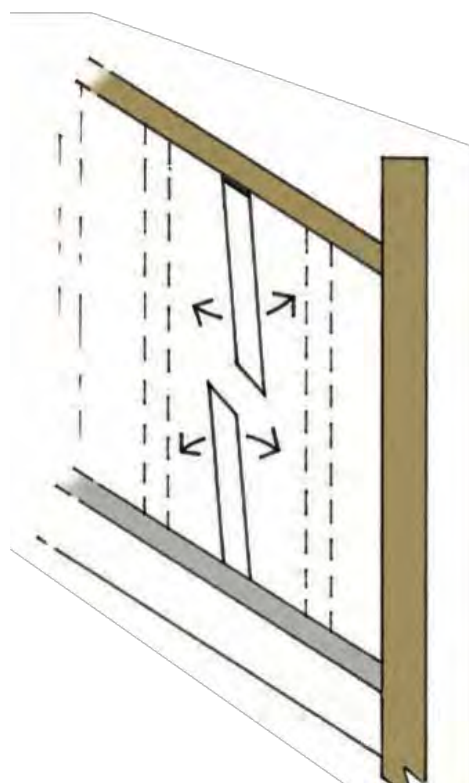
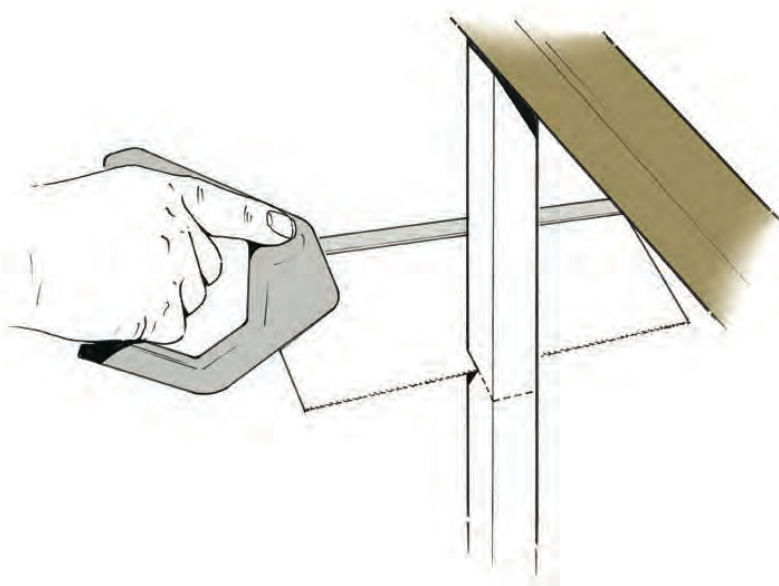
Using a fine saw cut through the top and bottom as diagram.



Or

If spindles are nailed or fitted into holes on the handrail and baserail, use a fine saw and cut at 45° through the spindle.

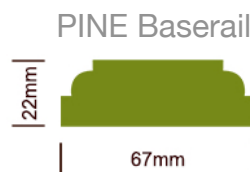
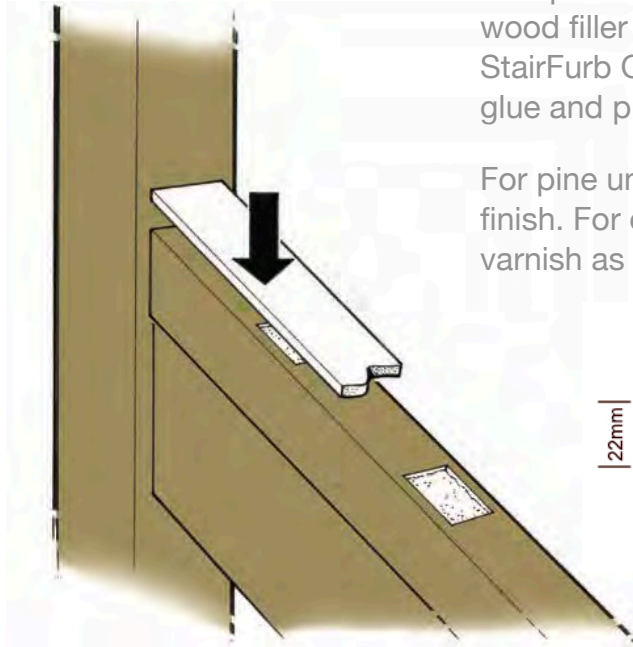
You should be able to wobble and twist (see diagram). Usually they will come away easily.



2. REPAIR EXISTING BASERAIL

To repair the baserail you can use wood filler and sand down or use StairFurb OAK or PINE baserail, glue and pin as diagram.

For pine undercoat and paint to finish. For oak, treat with oil or varnish as required.



OAK Baserail - ungrooved
63mm x 28mm

3. FITTING BOTTOM GLASS CLAMPS TO THE BASERAIL

With your pack of clamps (when supplied with delivered system) you will find a delivery note and production sheets (example opposite) which detail the components for each of your ordered systems. On each is a diagram which illustrates the suggested location of each clamp. (The pilot holes are pre-drilled on supplied SF baserail). The measurements are to be taken from where the wall or new post meets the baserail - bottom up. Measurements provided are for the centre of the clamp. Note: smaller panels of glass will only require single clamp top and bottom (or on post) - position may vary but normally centred.

TYPE A PRODUCTION SHEET

DIMMOCK 5792 - TYPE A - 1 970 x 1015

GLASS PRODUCTION																									
	QUANTITY 1 HEIGHT 847 LENGTH 965 SPEC: 8mm toughened glass, polished on all sides with radius corners.																								
	HANDRAIL PRODUCTION HANDRAIL TYPE STEEL HANDRAIL CUT LENGTH 1000 SIDE EITHER Nearside Bracket FLANGE BRACKET Far Side Bracket FLANGE BRACKET																								
<table border="1"> <thead> <tr> <th>CLAMP 1</th> <th>CLAMP 2</th> <th>CLAMP 3</th> <th>CLAMP 4</th> <th>CLAMP 5</th> <th>CLAMP 6</th> <th>CLAMP 7</th> <th>CLAMP 8</th> </tr> </thead> <tbody> <tr> <td>211</td> <td>790 N/A</td> <td>N/A</td> <td>N/A</td> <td>N/A</td> <td>N/A</td> <td>N/A</td> <td>N/A</td> </tr> </tbody> </table>	CLAMP 1	CLAMP 2	CLAMP 3	CLAMP 4	CLAMP 5	CLAMP 6	CLAMP 7	CLAMP 8	211	790 N/A	N/A	N/A	N/A	N/A	N/A	N/A	BASERAIL PRODUCTION BASERAIL TYPE NOT INCLUDED BASERAIL CUT LENGTH 1115								
CLAMP 1	CLAMP 2	CLAMP 3	CLAMP 4	CLAMP 5	CLAMP 6	CLAMP 7	CLAMP 8																		
211	790 N/A	N/A	N/A	N/A	N/A	N/A	N/A																		
<table border="1"> <thead> <tr> <th colspan="8">BASERAIL CLAMP POSITIONS</th> </tr> <tr> <th>CLAMP 1</th> <th>CLAMP 2</th> <th>CLAMP 3</th> <th>CLAMP 4</th> <th>CLAMP 5</th> <th>CLAMP 6</th> <th>CLAMP 7</th> <th>CLAMP 8</th> </tr> </thead> <tbody> <tr> <td>218</td> <td>797 N/A</td> <td>N/A</td> <td>N/A</td> <td>N/A</td> <td>N/A</td> <td>N/A</td> <td>N/A</td> </tr> </tbody> </table>	BASERAIL CLAMP POSITIONS								CLAMP 1	CLAMP 2	CLAMP 3	CLAMP 4	CLAMP 5	CLAMP 6	CLAMP 7	CLAMP 8	218	797 N/A	N/A	N/A	N/A	N/A	N/A	N/A	Height from top of base rail to the bottom of nearside bracket = 855 Height from top of base rail to the bottom of far side bracket = 855
BASERAIL CLAMP POSITIONS																									
CLAMP 1	CLAMP 2	CLAMP 3	CLAMP 4	CLAMP 5	CLAMP 6	CLAMP 7	CLAMP 8																		
218	797 N/A	N/A	N/A	N/A	N/A	N/A	N/A																		

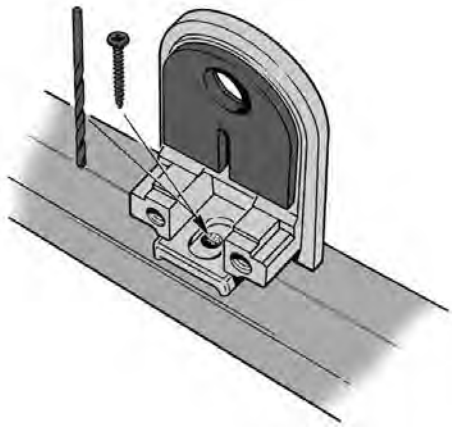
EXAMPLE PROD SHEET

NONE:

Fit the two 8mm rubbers one each side.
(See separate instruction sheet).

Drill pilot holes in the centre of the baserail
at each of these measurements and fit the
flat backed glass clamps as per the image

Fix using screws & washers supplied.



Fixing a string down the centre of the
baserail can aid in ensuring clamps are set
to the centre of the baserail

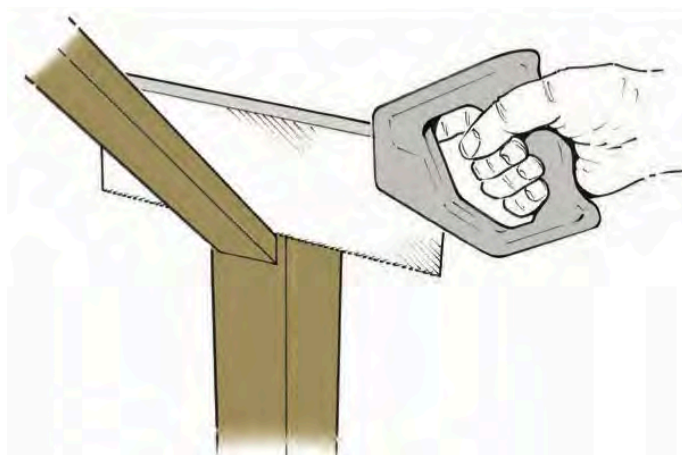
NOTE: clamp styles may vary

4. REMOVING THE HANDRAIL

(IF REPLACING WITH STAIRFURB HANDRAIL SYSTEM)

Saw off the handrail at both
ends as diagram, taking care to
hold the handrail securely.

Sand and finish.



5. SETTING HANDRAIL HEIGHT

SEE COMPONENTS SHEET FOR POSITION OF HANDRAIL BRACKETS:

Bottom of BOTTOM bracket height from top of baserail

Bottom of TOP bracket height from top of baserail

Shown in mm

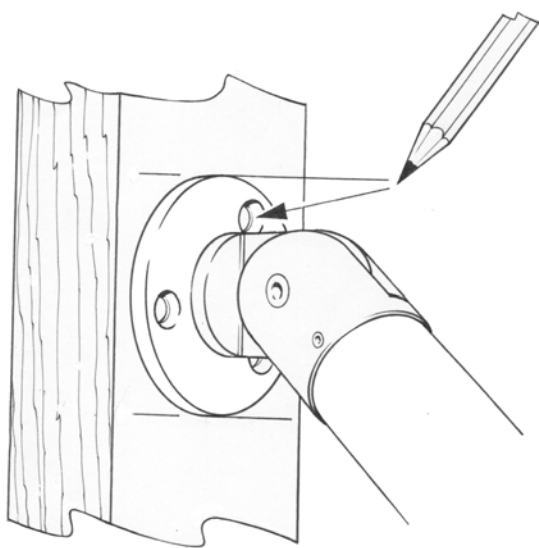
Applicable to both PIVOT (type B) and FLANGE (types A&C) brackets.

IMPORTANT TYPE B:

The bottom PIVOT bracket height will differ from the top PIVOT bracket height

IMPORTANT ODD SHAPE:

Handrail is supplied ~100mm OVER LENGTH to allow tolerance - customer to trim down as necessary.



Pivot handrail bracket may vary to illustration - now with smaller flat edged back plate, with 4 fixings

Create a pencil line and centred on the newel post position the handrail pivot bracket (supplied).

Mark the centre of the holes, remove the handrail bracket and drill three pilot holes into the newel post. Fit the brackets with the rail inserted (screws supplied).

Fit the handrail bracket to the other newel post repeating the same process.

Tighten the grub screws to secure handrail (oak rail may need mastic adhesive).

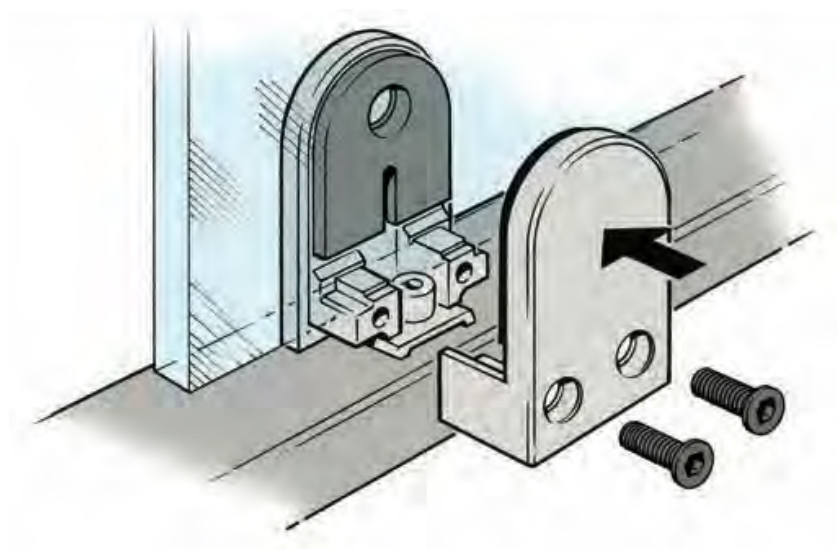
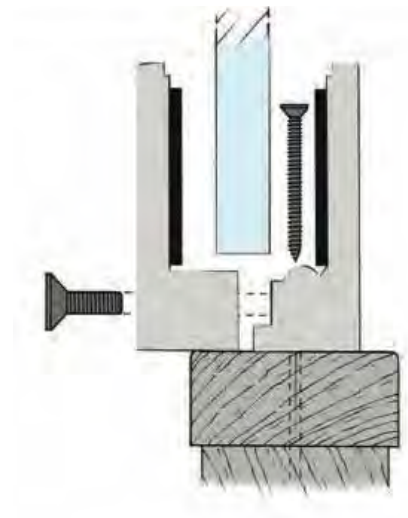
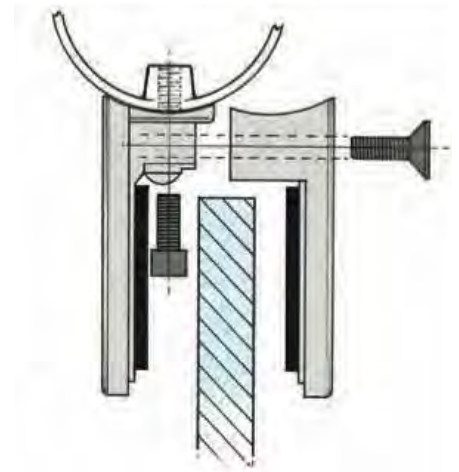
6. FIXING THE GLASS PANELS

Two people recommended.

Glass orientation is indicated with height dimensions written with chalk pen on each panel.

Position the glass onto the bottom half glass clamp. A 25mm horizontal gap should be allowed between the newel post (or wall) and the edge of the piece of glass, as well as between each panel of glass. The spacer block provided is 25mm wide and can be used as a guidance tool to set this gap. With the other person holding the Glass fit the other half glass clamp. Do not over tighten at this stage to allow for movement of Glass.

Supporting the glass fit the top glass brackets in the same way. When the positions of the glass panels are correct tighten all the bolts in the glass brackets.



GLASS CLAMPS AND FITTING

Glass & Clamps

Flat back clamps for baserail:

For your reference, how to fix clamps securely

1. Unscrew clamp and fit half the clamp to baserail as per main instructions
2. Clamps come with moulded rubbers **USE the 8mm pair**
3. Each side of the clamp has x1 moulded rubber see pic below
4. Assemble clamp either side of glass & pinch fit screws
5. Tight fit screws x2 when glass is positioned



Fitting glass:

The recommended gap between the posts and the glass panel edge is 20-30mm (we have enclosed a block of wood at 25mm to help position the glass). PLEASE BE AWARE THIS IS FOR GUIDANCE ONLY, EACH APPLICATION WILL VARY.