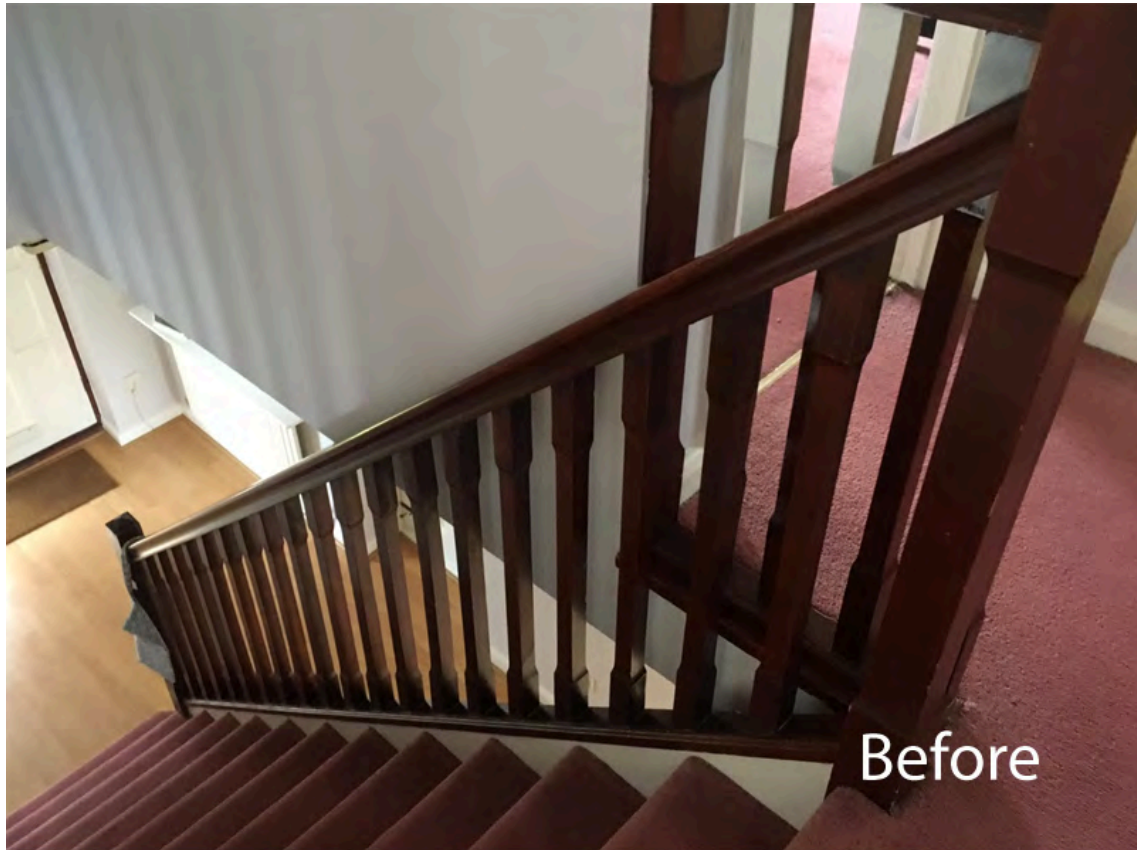




StairFurb
stairfurb.co.uk

Installation Manual
Using Existing Handrail
Version 5.0 May 2019





ORDER OF ASSEMBLY

TOOLS YOU WILL NEED

- Fine Saw
- Sander
- Wood Filler
- Allen keys
- Screw Driver
- Drill
- Suitable Screws

PROTECTING THE COMPONENTS

Make sure all the glass panels are stored in a safe place until required. Protect all parts against scratches and knocks.

BEFORE COMMENCING WITH THE BUILD

Study the instructions fully so that you're familiar with all the parts of the assembly.

TWO PEOPLE RECOMMENDED

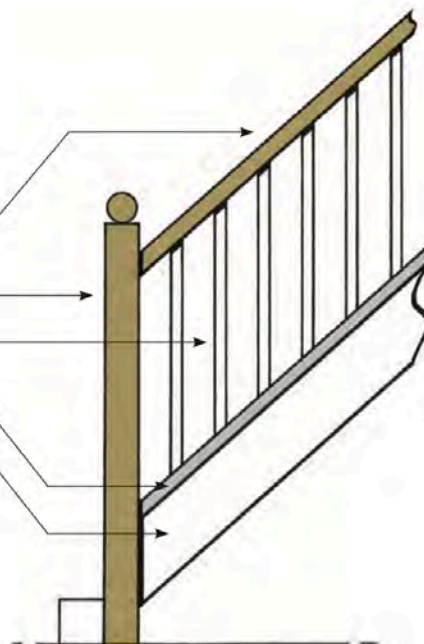
We recommend having a second person to help, as the glass panels can be heavy and will need to be supported whilst you secure them to the handrail and baserail. Also to support the handrail during fixing.

CLEANING

Only use recommended cleaning products on the surfaces.

NAMED PARTS TO A STAIRCASE

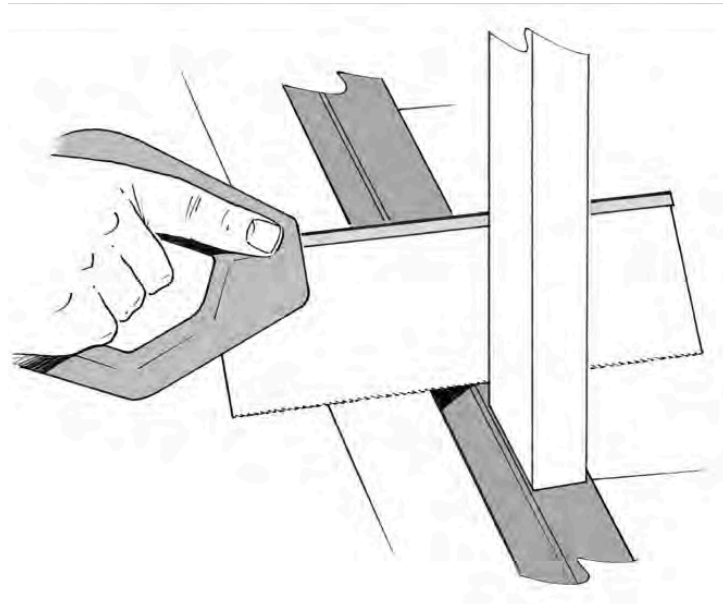
- Handrail
- Newel Post
- Spindles
- Baserail
- Closed Baserail



1. CUTTING OFF THE EXISTING SPINDLES OR TIMBER PANELS

There are possibly two ways of removing the spindles.

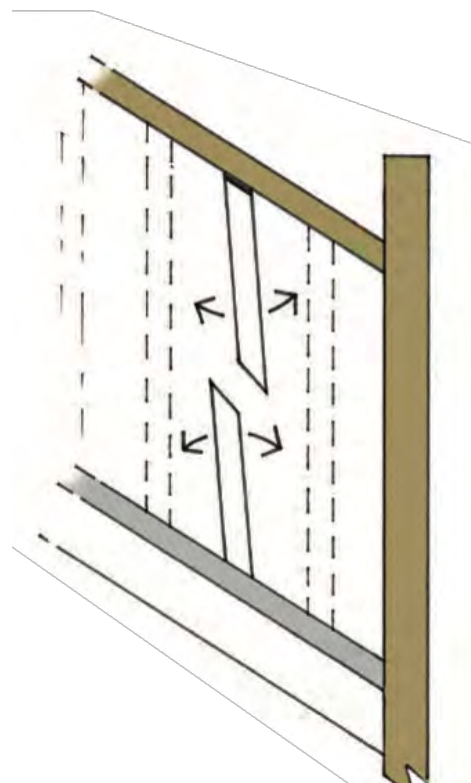
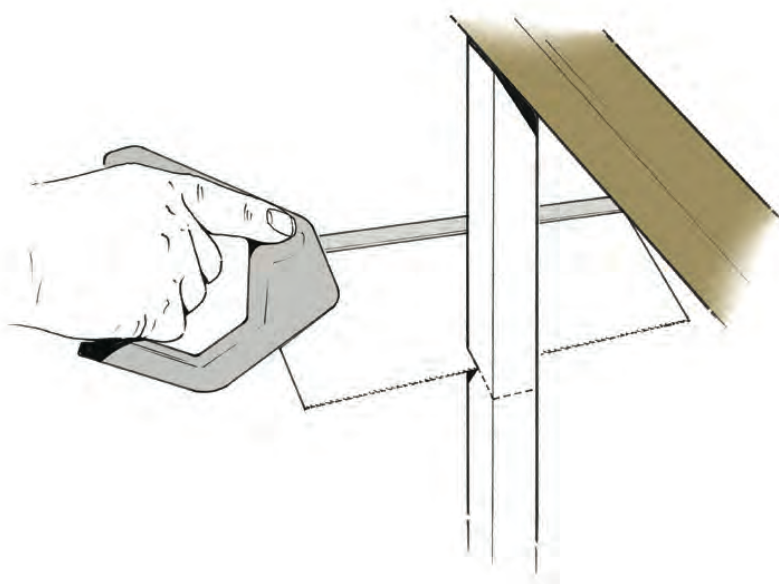
Using a fine saw cut through the top and bottom as diagram.



Or

If spindles are nailed or fitted into holes on the handrail and baserail, use a fine saw and cut at 45° through the spindle.

You should be able to wobble and twist (see diagram). Usually they will come away easily.



2. REPAIR EXISTING HANDRAIL AND BASERAIL



To repair the handrail and baserail you can use wood filler and sand down or use StairFurb baserail, glue and pin as diagram.

Undercoat and paint to finish pine, treat oak.

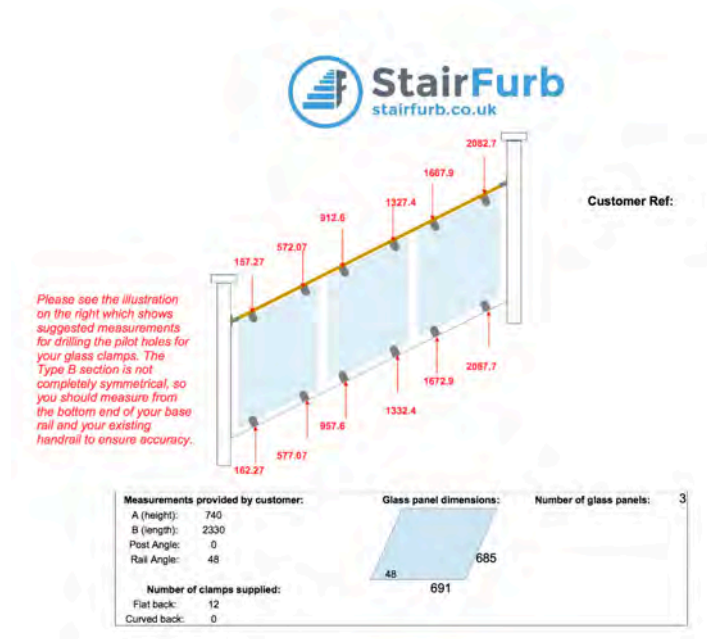
PINE Baserail



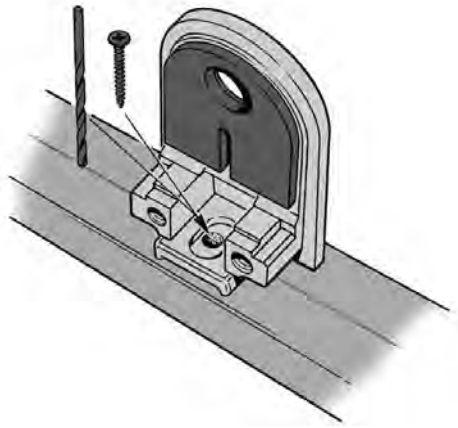
OAK Baserail - ungrooved
63mm x 28mm

3. FITTING BOTTOM GLASS CLAMPS TO THE BASERAIL

Attached to the back of this guide (when supplied with delivered system) you will find a sheet which details the components for each of your ordered systems. On this sheet is a diagram which illustrates the suggested location of each clamp (SF baserails are pre-drilled). The measurements are to be taken from where the wall or new post meets the baserail. Measurements provided are for the centre of the clamp.



Drill pilot holes in the centre of the baserail at each of these measurements and fit the flat backed glass clamps as per the image below.



Fixing a string down the centre of the baseball can aid in ensuring clamps are set to the centre of the baserail

NOTE: Clamp types may vary, see separate sheet for specific clamp assembly.

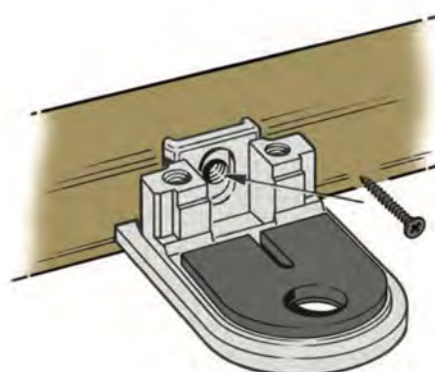
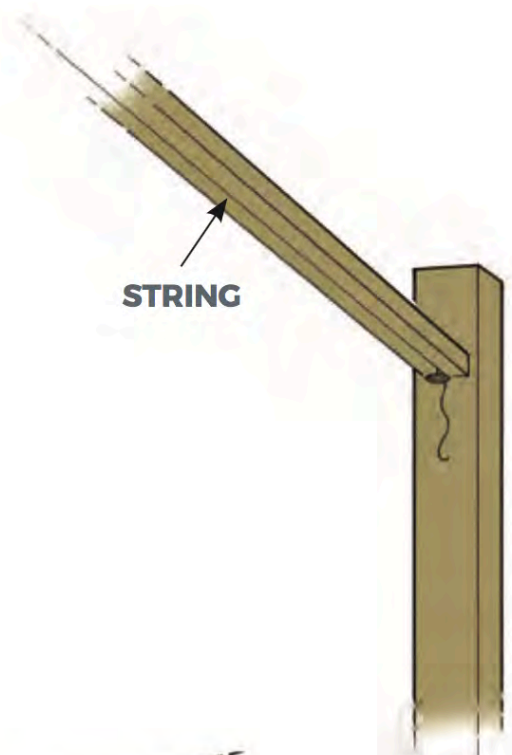
4. FITTING THE TOP GLASS CLAMPS TO THE EXISTING HANDRAIL

Having fitted the glass clamps to the baserail you must locate the position of the glass clamps on the handrail.

Stretch a length of string underneath and along the handrail, securing with a drawing pin each end to mark the centre of the handrail.

Refer to the sheet at the back of this guide, which illustrates the recommended clamp locations. Measurements are taken from the bottom of the handrail for the Type B sections. Using the string as a guide for centreline, mark the pilot hole locations and drill pilot holes.

Fix half clamp to the underside of the handrail, into the pilot holes, with the screws provided



5. FIXING THE GLASS PANELS

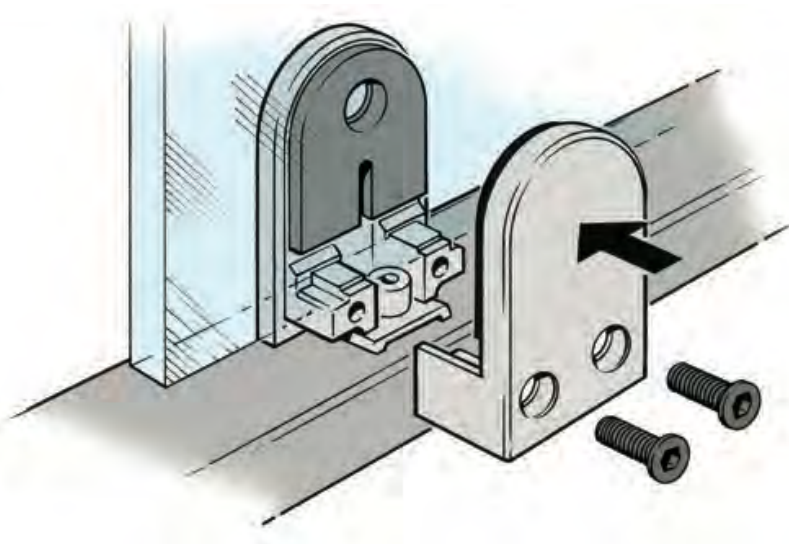
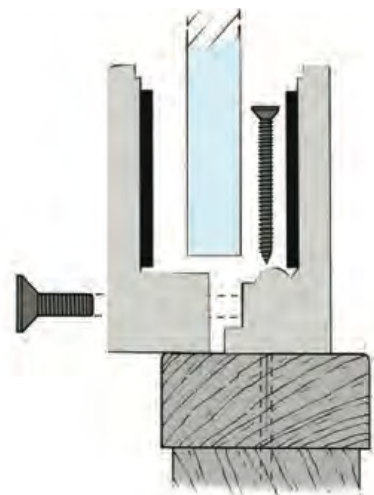
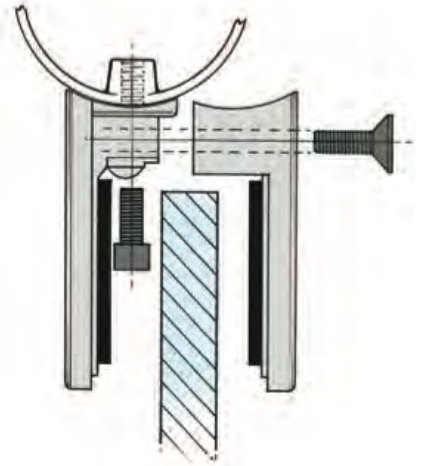
Two people recommended.

Glass orientation is indicated with height dimensions written on each panel.

Position the glass onto the bottom half glass clamp. A 25mm horizontal gap should be allowed between the newel post (or wall) and the edge of the piece of glass, as well as between each panel of glass. The spacer block provided are 25mm wide and can be used as a guidance tool to set this gap. With the other person holding the Glass fit the other half glass clamp. Do not overtighten at this stage to allow for movement of Glass.

Supporting the glass fit the top glass brackets in the same way. When the positions of the glass panels are correct with even spacing, tighten all the bolts in the glass brackets.

Insert the additional black plastic rubber glass protector into the glass bracket as before. Using the bolts provided secure the brackets together.



GLASS CLAMPS AND FITTING

Glass & Clamps

Flat back clamps for baserail:

For your reference, how to fix clamps securely

1. Unscrew clamp and fit half the clamp to baserail as per main instructions
2. Clamps come with moulded rubbers **USE the 8mm pair**
3. Each side of the clamp has x1 moulded rubber see pic below
4. Assemble clamp either side of glass & pinch fit screws
5. Tight fit screws x2 when glass is positioned



Fitting glass:

The recommended gap between the posts and the glass panel edge is 20-30mm (we have enclosed a block of wood at 25mm to help position the glass). PLEASE BE AWARE THIS IS FOR GUIDANCE ONLY, EACH APPLICATION WILL VARY.